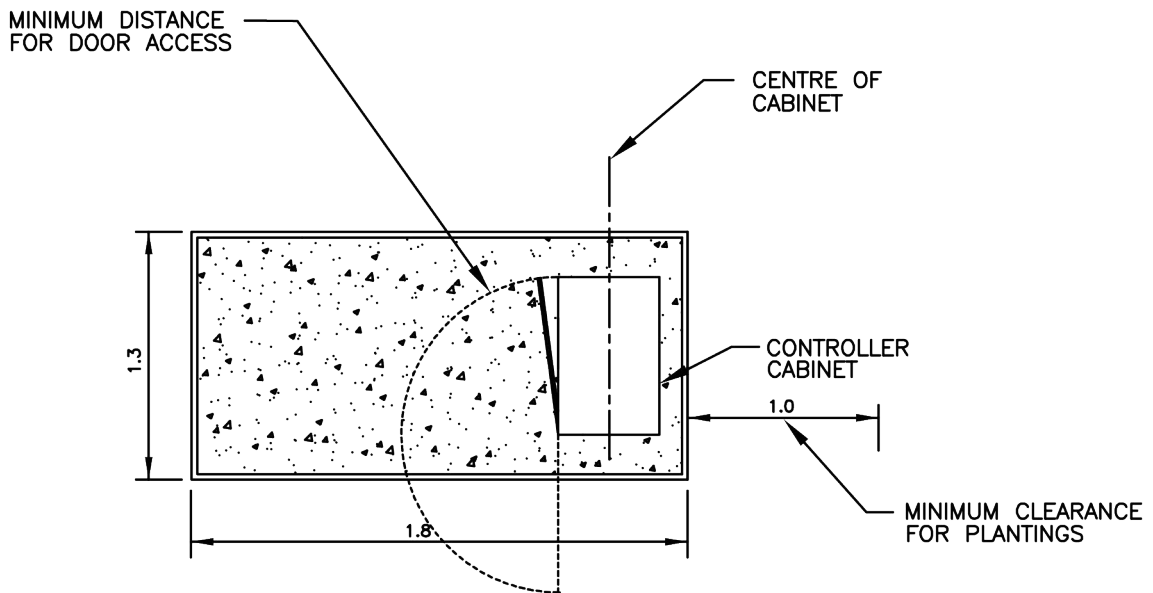


ELEVATION



PLAN VIEW

NOTES

1. ALL DIMENSIONS ARE IN mm UNLESS OTHERWISE NOTED.
2. THE CONTRACTOR IS TO OBTAIN THE ANCHOR BOLT PATTERNS FROM THE CONTROLLER SUPPLIER.
3. THE CONTROLLER PAD SHALL HAVE A 1.0m CLEARANCE FROM ALL PLANTINGS AND PLANTINGS SHALL BE NO MORE THAN 0.5m IN HEIGHT.
4. A HARD SURFACE IS REQUIRED TO ACCESS THE CONTROLLER PAD; NO DIRT OR SHAVINGS.
5. HEIGHT OF THE CONTROLLER PAD MUST MATCH OR EXCEED THE HEIGHT THE PLANTER CURB, IF APPLICABLE.
6. THE CONTROLLER DOOR SHALL NOT ENCROACH ANY WALKWAYS WHEN OPEN.
7. MINIMUM OF 2.0m LEVEL GROUND IN FRONT OF CONTROLLER PAD.
8. CONTROLLER ORIENTATION TO BE DETERMINED ON SITE WITH ELECTRICAL CONSTRUCTION COORDINATOR.



Transportation Services

CONCRETE CONTROLLER PAD CLEARANCE

DATE: NOVEMBER 2018

SCALE N.T.S.

REV.

X

X

E-3.09A