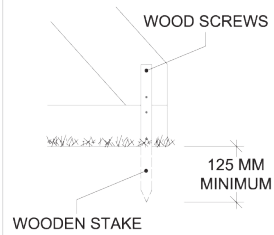


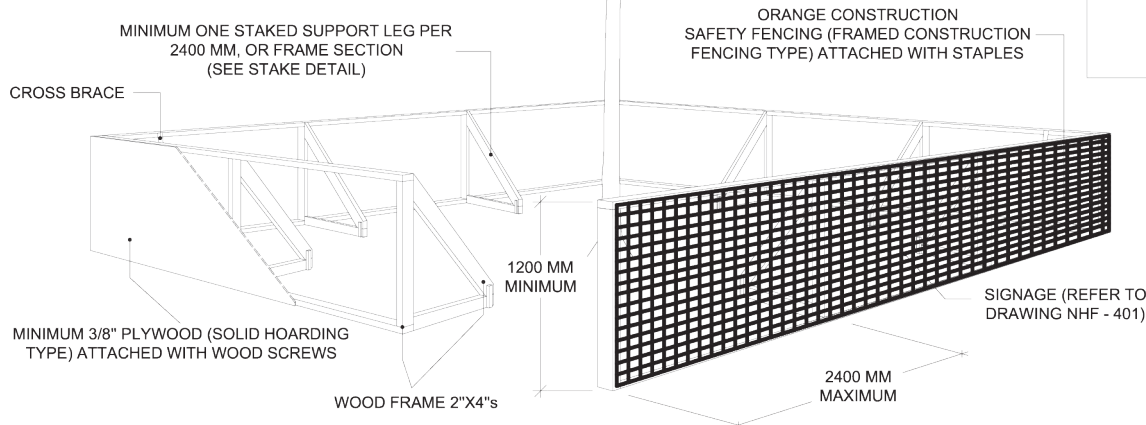
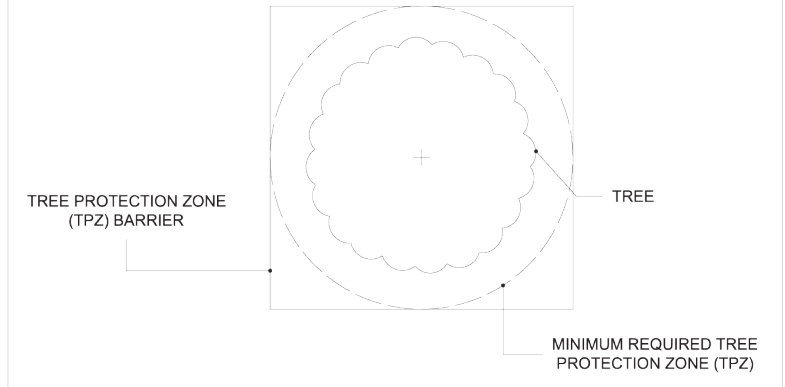
STAKE DETAIL




NOTES:

1. REFER TO YORK REGION STREET TREE & FOREST PRESERVATION AND COMPENSATION GUIDELINES FOR COMPLETE TREE PRESERVATION REQUIREMENTS.
2. TREE PROTECTION ZONE (TPZ) BARRIER SHALL BE INSTALLED AT THE OUTER LIMIT OF THE MINIMUM REQUIRED TPZ FOR EACH TREE TO BE PRESERVED.
3. TPZ IS DELINEATED AS A RADIUS, IN METRES, MEASURED OUTWARD FROM THE BASE OF THE TREE TO BE PROTECTED. THE TPZ RADIUS IS DETERMINED BASED UPON THE DIAMETER AT BREAST HEIGHT (DBH) OF THE TREE'S MAIN STEM. FOR MULTI-STEMMED TREES, THE DIAMETER AT BREAST HEIGHT (DBH) OF THE LARGEST-DBH STEM IS USED TO DETERMINE THE TPZ RADIUS. THE TPZ FOR ALL TREES 24cm DBH OR LESS IS A MINIMUM OF 2.4m. THE TPZ FOR TREES 25cm OR GREATER IS 10cm FOR EVERY CENTIMETRE OF DBH.
4. TPZ BARRIERS SHALL PROTECT CONTIGUOUS GROUPS OF TREES WHEREVER POSSIBLE.
5. TPZ BARRIERS SHALL BE ESTABLISHED, INSPECTED, AND APPROVED BY YORK REGION OR ITS DESIGNATE PRIOR TO THE COMMENCEMENT OF ANY SITE DISTURBANCE.
6. TPZ BARRIERS SHALL BE INSPECTED WEEKLY AND BE MAINTAINED IN GOOD WORKING ORDER AND APPEARANCE UNTIL COMPLETION OF ALL SITE WORKS.

PLAN VIEW



		Environmental Services	
TREE PROTECTION ZONE (TPZ) BARRIER			
DATE:		SCALE N.T.S.	
REV.			NHF-400