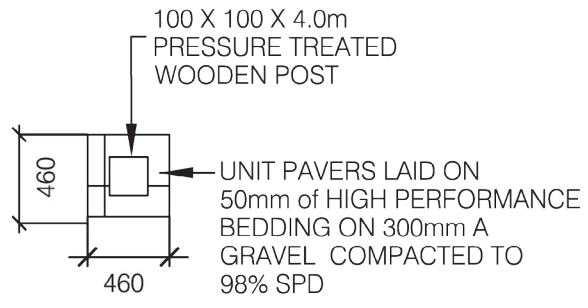


SIDE VIEW:

UNIT PAVER  
RAISED MEDIAN  
N.T.S.



PLAN VIEW:

UNIT PAVERS  
ADJACENT POST  
N.T.S.

NOTES

1. ALL DIMENSIONS IN MILLIMETRES UNLESS OTHERWISE NOTED.
2. THE MEDIANS CONCRETE BASE SHALL BE FORMED AND Poured TO ACCOMMODATE A 460 X 460mm SQUARE VOID FOR THE INSTALLATION OF THE "KEEP RIGHT" SIGN AND OBJECT MARKER POST (SEE ABOVE).
3. UNIT PAVERS ARE LAID AFTER THE POST AND SIGN INSTALLATION.

**York Region** **Transportation Services**

**UNIT PAVERS IN MEDIAN ISLANDS  
ADJACENT OBJECT MARKERS/POSTS**

DATE:	DECEMBER 2016	SCALE	N.T.S.
REV.	X	X	<b>SS-302</b>