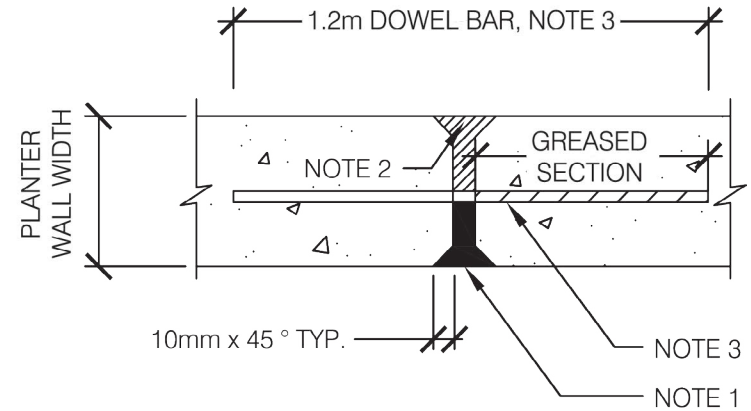


PLAN OF EXPANSION JOINT DETAIL IN
CONCRETE PLANTER WALL AT 6.0m SPACING



PLAN OF CONTRACTION JOINT DETAIL IN
CONCRETE PLANTER WALL AT 1.5m SPACING

NOTES:

1. 10mm PREFORMED JOINT FILLER, TYPE A, NON-EXTRUDING AND RESILIENT BITUMINOUS COLOUR MATCHED WITH POLYSULFIDE SEALANT. ON ALL FACE, TOP AND BACK OF WALLS AND JOINTS I. E. VISIBLE PORTIONS OF THE WALL.
2. COLD APPLIED RUBBER ASPHLAT JOINT SEALING COMPOUND.
3. 32mm DIA. STEEL DOWEL BAR.
4. EXPANSION AND CONTRACTION JOINTS SHALL BE ACCORDING TO THE LATEST METRIC, OPSS 350.

		Transportation Services
CONCRETE PLANTER WALL CONTRACTION AND EXPANSION JOINT DETAIL		
DATE:	MARCH 2017	SCALE N.T.S.
REV.	X X	SS-200C