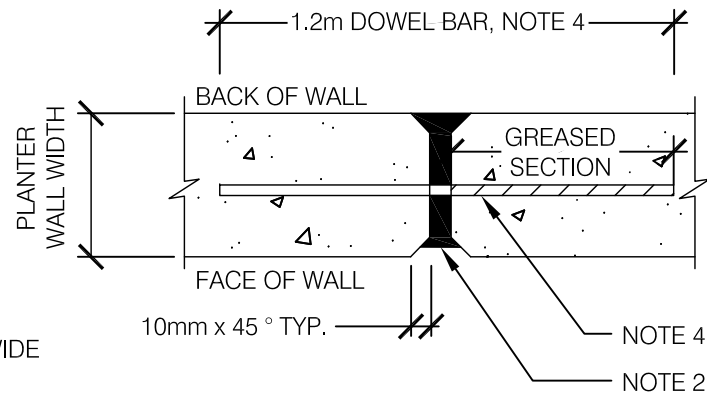


PLAN OF EXPANSION JOINT DETAIL IN  
CONCRETE PLANTER WALL AT 6.0m SPACING



PLAN OF CONTRACTION JOINT DETAIL IN  
CONCRETE PLANTER WALL AT 1.5m SPACING

NOTES:

1. ALL DIMENSIONS IN MILLIMETRES UNLESS OTHERWISE NOTED.
2. 10mm PREFORMED JOINT FILLER, TYPE A, NON-EXTRUDING AND RESILIENT BITUMINOUS COLOUR MATCHED WITH POLYSULFIDE SEALANT ON ALL FACE, TOP AND BACK OF WALLS AND JOINTS 20 mm WIDE.
3. 32mm DIA. STEEL DOWEL BAR.
4. EXPANSION AND CONTRACTION JOINTS SHALL BE ACCORDING TO THE LATEST METRIC, OPSS 350.



**CONCRETE PLANTER WALL  
CONTRACTION AND EXPANSION JOINT  
DETAIL**

DATE:	JANUARY 2020	SCALE	N.T.S.
REV.	X	X	SS-200C